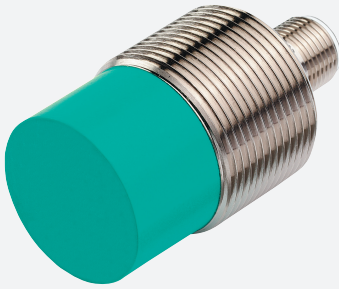


Inductive sensor

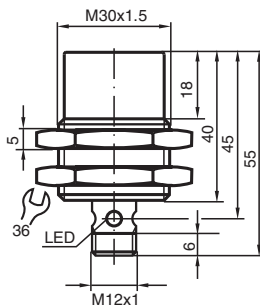
NCN15-30GM40-N0-V1



- 15 mm non-flush
- Stainless steel housing
- Usable up to SIL 2 acc. to IEC 61508



Dimensions



Technical Data

| General specifications | | |
|-----------------------------|-------|--------------------------------------|
| Switching function | | Normally closed (NC) |
| Output type | | NAMUR |
| Rated operating distance | s_n | 15 mm |
| Installation | | non-flush |
| Assured operating distance | s_a | 0 ... 12.15 mm |
| Actual operating distance | s_r | 13.5 ... 16.5 mm typ. |
| Reduction factor r_{AI} | | 0.4 |
| Reduction factor r_{Cu} | | 0.35 |
| Reduction factor r_{304} | | 0.7 |
| Output type | | 2-wire |
| Nominal ratings | | |
| Nominal voltage | U_o | 8.2 V (R_i approx. 1 k Ω) |
| Switching frequency | f | 0 ... 150 Hz |
| Hysteresis | H | 1 ... 15 typ. 5 % |
| Reverse polarity protection | | reverse polarity protected |
| Short-circuit protection | | yes |

Release date: 2023-01-26 Date of issue: 2023-01-26 Filename: 70133307_eng.pdf

Refer to "General Notes Relating to Pepperl+Fuchs Product Information".

Pepperl+Fuchs Group
www.pepperl-fuchs.com

USA: +1 330 486 0001
fa-info@us.pepperl-fuchs.com

Germany: +49 621 776 1111
fa-info@de.pepperl-fuchs.com

Singapore: +65 6779 9091
fa-info@sg.pepperl-fuchs.com

PEPPERL+FUCHS

Technical Data

| | | |
|---|--|---|
| Current consumption | | |
| Measuring plate not detected | | min. 2.2 mA |
| Measuring plate detected | | ≤ 1 mA |
| Switching state indicator | | Multihole-LED, yellow |
| Functional safety related parameters | | |
| Safety Integrity Level (SIL) | | SIL 2 |
| Compliance with standards and directives | | |
| Standard conformity | | |
| NAMUR | | EN 60947-5-6:2000 IEC 60947-5-6:1999 |
| Electromagnetic compatibility | | NE 21:2007 |
| Standards | | EN 60947-5-2:2007 EN 60947-5-2/A1:2012 IEC 60947-5-2:2007 IEC 60947-5-2 AMD 1:2012 |
| Approvals and certificates | | |
| IECEX approval | | |
| Equipment protection level Ga | | IECEX PTB 11.0037X |
| Equipment protection level Gb | | IECEX PTB 11.0037X |
| Equipment protection level Da | | IECEX PTB 11.0037X |
| Equipment protection level Dc (tc) | | IECEX TUR 21.0018X |
| Equipment protection level Mb | | IECEX PTB 11.0037X |
| ATEX approval | | |
| Equipment protection level Ga | | PTB 00 ATEX 2048 X |
| Equipment protection level Gb | | PTB 00 ATEX 2048 X |
| Equipment protection level Da | | PTB 00 ATEX 2048 X |
| Equipment protection level Dc (tc) | | TÜV 20 ATEX 8524 X |
| UL approval | | |
| Ordinary Location | | E87056 |
| Hazardous Location | | E501628 |
| Control drawing | | 116-0452 |
| CCC approval | | |
| Hazardous Location | | 2020322315002255 |
| NEPSI approval | | |
| NEPSI certificate | | GYJ16.1393X |
| TIIS approval | | on request |
| ANZEx | | 18.3018X |
| KCC approval | | |
| Hazardous Location | | 09-AV4BO-0225 |
| Marine approval | | DNVGL TAA00001A5 |
| Ambient conditions | | |
| Ambient temperature | | -25 ... 100 °C (-13 ... 212 °F) |
| Storage temperature | | -40 ... 100 °C (-40 ... 212 °F) |
| Mechanical specifications | | |
| Connection type | | Connector plug |
| Housing material | | Stainless steel 1.4305 / AISI 303 |
| Sensing face | | PBT |
| Degree of protection | | IP66 / IP67 |
| Connector | | |
| Threading | | M12 x 1 |
| Number of pins | | 4 |
| General information | | |
| Use in the hazardous area | | see instruction manuals |

Release date: 2023-01-26 Date of issue: 2023-01-26 Filename: 70133307_eng.pdf

Refer to "General Notes Relating to Pepperl+Fuchs Product Information".

Pepperl+Fuchs Group
www.pepperl-fuchs.comUSA: +1 330 486 0001
fa-info@us.pepperl-fuchs.comGermany: +49 621 776 1111
fa-info@de.pepperl-fuchs.comSingapore: +65 6779 9091
fa-info@sg.pepperl-fuchs.com

PEPPERL+FUCHS

Connection



Connection Assignment

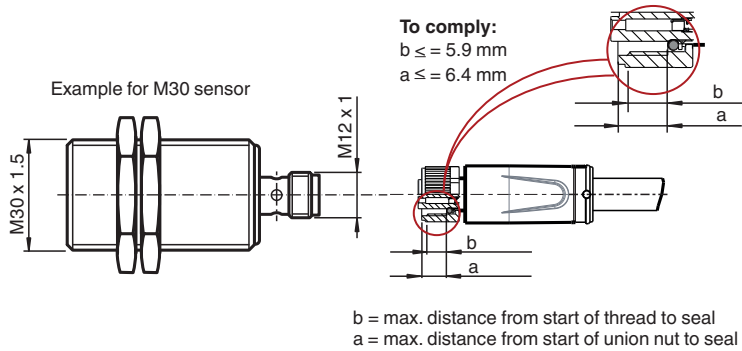


Wire colors in accordance with EN 60947-5-6

- 1 | BN (brown)
- 2 | BU (blue)

Installation

Requirement for male cordset to achieve IP degree of protection



Accessories

| | | |
|--|----------------------|--|
| | BF 30 | Mounting flange, 30 mm |
| | KCD2-E2L | Sensor output interface terminal with lead breakage monitoring |
| | V1-W-N-2M-PUR | Female cordset single-ended M12 angled A-coded, 2-pin, PUR cable blue, NAMUR |

Release date: 2023-01-26 Date of issue: 2023-01-26 Filename: 70133307_eng.pdf

Refer to "General Notes Relating to Pepperl+Fuchs Product Information".

Accessories



V1-G-N-2M-PUR

Female cordset single-ended M12 straight A-coded, 2-pin, PUR cable blue, NAMUR

Release date: 2023-01-26 Date of issue: 2023-01-26 Filename: 70133307_eng.pdf

Refer to "General Notes Relating to Pepperl+Fuchs Product Information".

Pepperl+Fuchs Group
www.pepperl-fuchs.com

USA: +1 330 486 0001
fa-info@us.pepperl-fuchs.com

Germany: +49 621 776 1111
fa-info@de.pepperl-fuchs.com

Singapore: +65 6779 9091
fa-info@sg.pepperl-fuchs.com